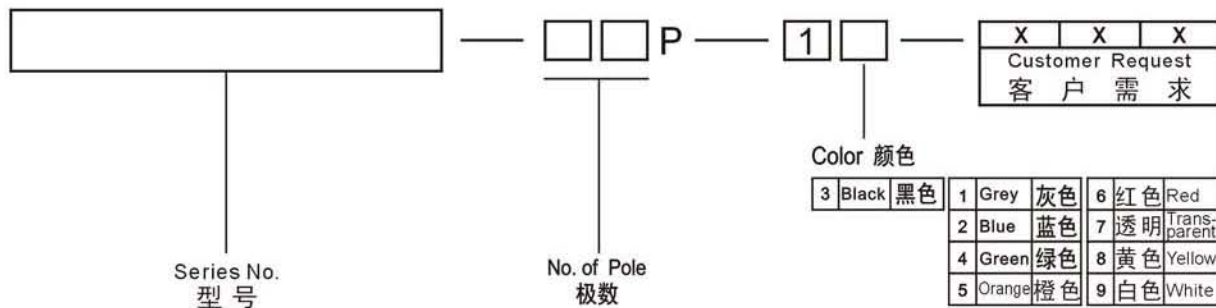


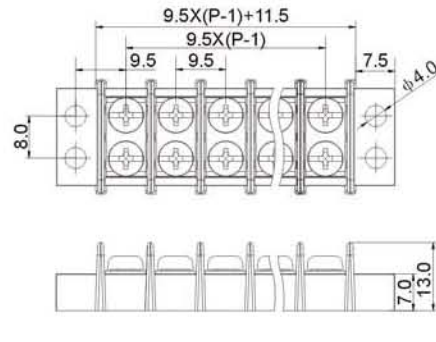
HOW TO ORDER(订货方法):



SPECIFICATION(规格)

Materials		材质	
Housing:	PC, UL94V-2	塑件:	PC, UL94V-2
Terminal:	Brass, 0.8t, Tin-Plated	端子:	黄铜, 0.8厚 镀锡
Screw:	Steel, Ni-Plated	螺丝:	钢, 镀镍
Capability		性能	
Rated:	300V / 20A	额定电压/电流:	300V / 20A
Temp. Range:	-40°C ~ +80°C	使用温度:	-40°C ~ +80°C
Withstand Voltage:	AC2000V / 1Min	耐电压:	AC2000V / 1Min
Insulation Resistance:	1000MΩ / DC500V	绝缘阻抗:	1000MΩ / DC500V
Wire Range:	22-12AWG	适用线径:	22-12AWG
Max. Torque Value:	0.8N.m 7.0Lb.in	最大锁紧扭力:	0.8N.m 7.0Lb.in

DG49



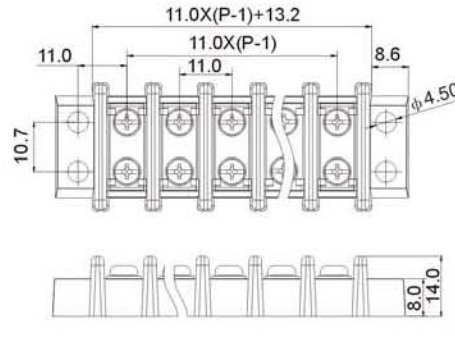
Screw: M3.5
螺丝: M3.5

Rated: 300V / 20A
额定电压/电流: 300V / 20A

Wire Range: 22-12AWG
适用线径: 22-12AWG

Max.Torque Value: 0.8N.m 7.0Lb.in
最大锁紧扭力: 0.8N.m 7.0Lb.in

DG69



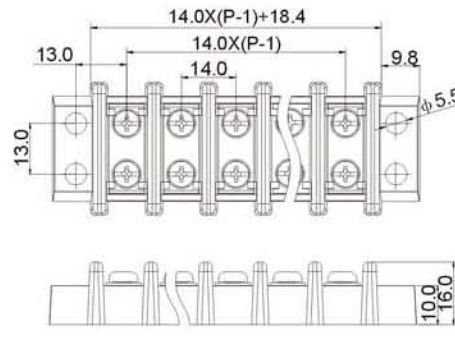
Screw: M3.5
螺丝: M3.5

Rated: 300V / 25A
额定电压/电流: 300V / 25A

Wire Range: 22-12AWG
适用线径: 22-12AWG

Max.Torque Value: 0.8N.m 7.0Lb.in
最大锁紧扭力: 0.8N.m 7.0Lb.in

DG89



Screw: M4
螺丝: M4

Rated: 600V / 30A
额定电压/电流: 600V / 30A

Wire Range: 22-10AWG
适用线径: 22-10AWG

Max.Torque Value: 1.2N.m 10.6Lb.in
最大锁紧扭力: 1.2N.m 10.6Lb.in